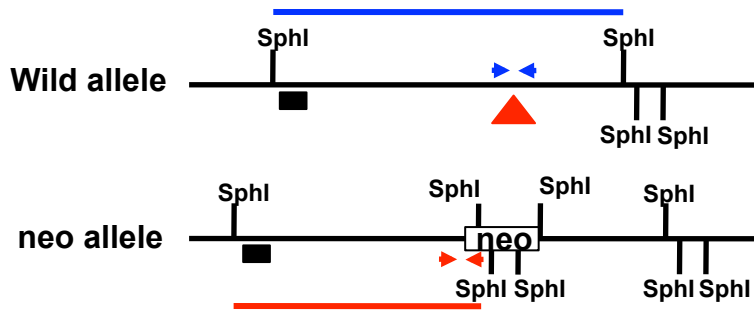
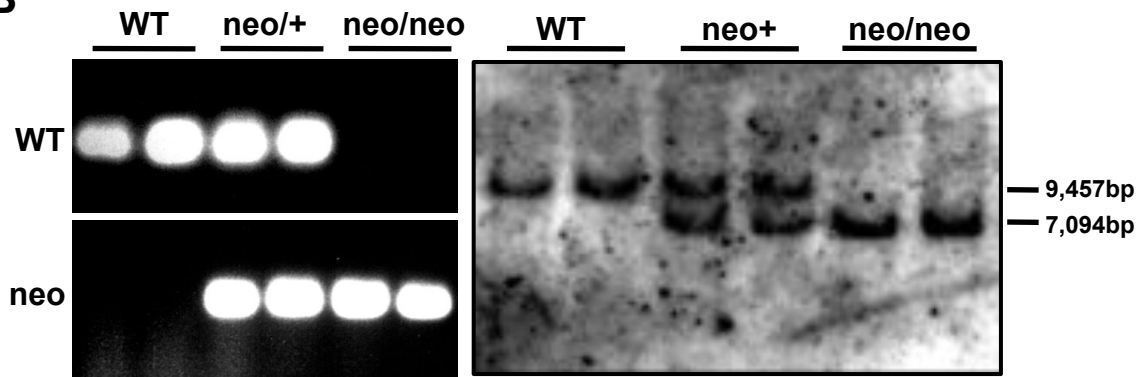


Figure S3

A



B



C

