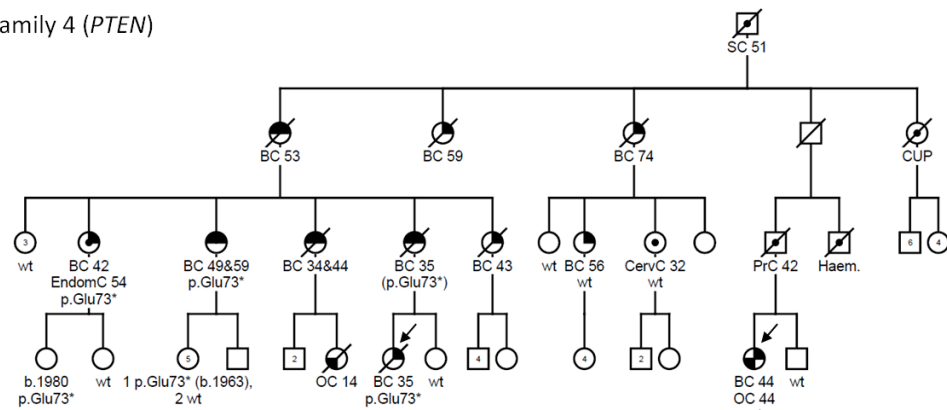
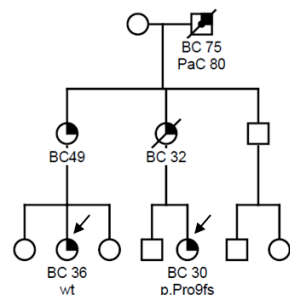


Family 4 (*PTEN*)



Family 6 (*BRCA2*)



Family 5 (*BRCA2*)

