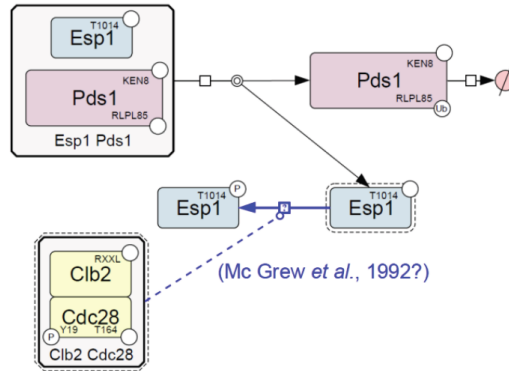
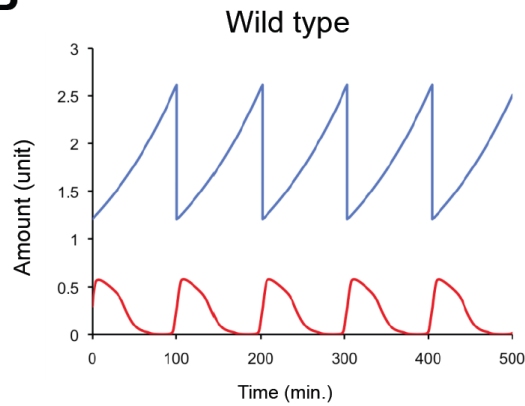
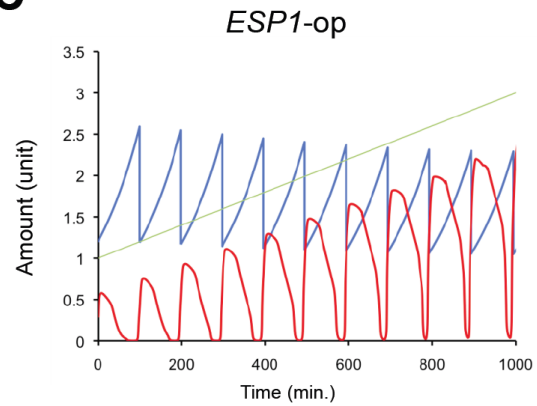


**A**

Esp1 phosphorylation model

**B****C**

**Figure S6. Esp1 phosphorylation model and its time course simulation.** (A) Process diagram describing the regulation of Esp1 by Pds1 and other factors. The diagram was drawn using CellDesigner4.0. (B) Time course simulation of wild type strain. (C) Time course simulation with gradual increase of *ESP1* expression alone at the rate of 12% of its original value per hour.